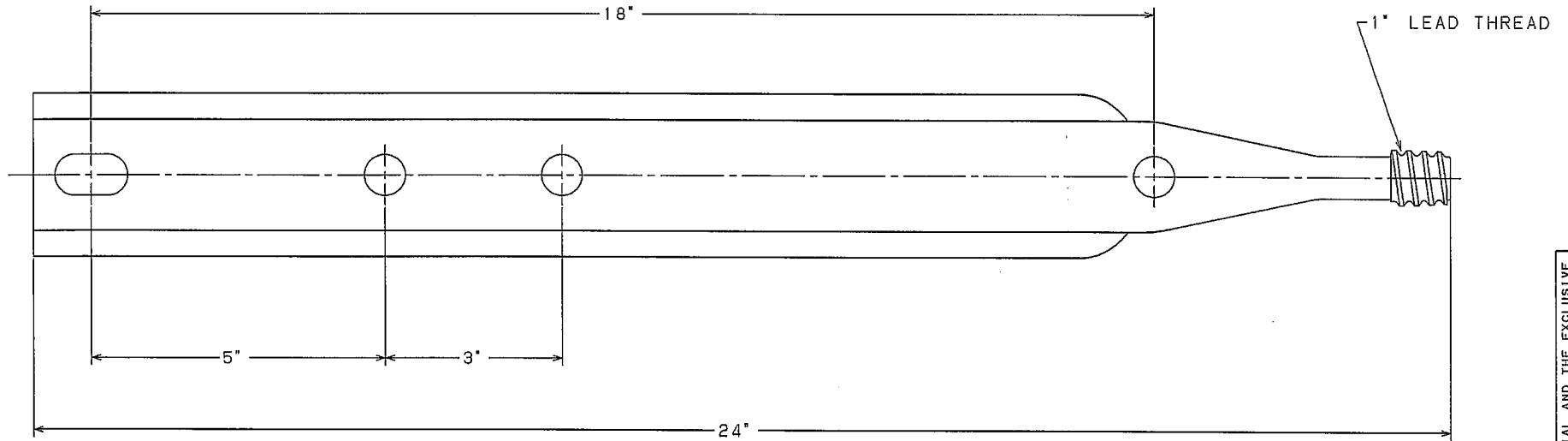


=NOTES=

1. MATERIAL: STEEL, HOT DIP GALV. PER ASTM A153 LATEST REVISION.



CAT. NO. T206-0282

LATEST EC NO:		REV.	DATE	CHANGED BY	RESP ENGINEER
91081305		-	-----	---	ODOM
					DO NOT SCALE THIS DWG THIRD ANGLE PROJECTION ISO DUAL DIMENSIONS IN=INCH, MM=MILLIMETER
DRN BY:	DATE:	TITLE:			SIZE:
JONES	08-14-81	POLE TOP PIN			C
				DWG NO: SA206-0282	

CONFIDENTIAL THIS DRAWING AND ITS CONTENTS ARE CONFIDENTIAL AND THE EXCLUSIVE PROPERTY OF HUBBELL POWER SYSTEMS COMPANY. HUBBELL POWER SYSTEMS COMPANY, HUBBELL / A. B. CHANCE COMPANY. COPIES MAY BE MADE WITHOUT WRITTEN CONSENT BY HUBBELL / A. B. CHANCE COMPANY. © 2000 HUBBELL / A. B. CHANCE. UNPUBLISHED - ALL RIGHTS RESERVED UNDER THE COPYRIGHT LAWS